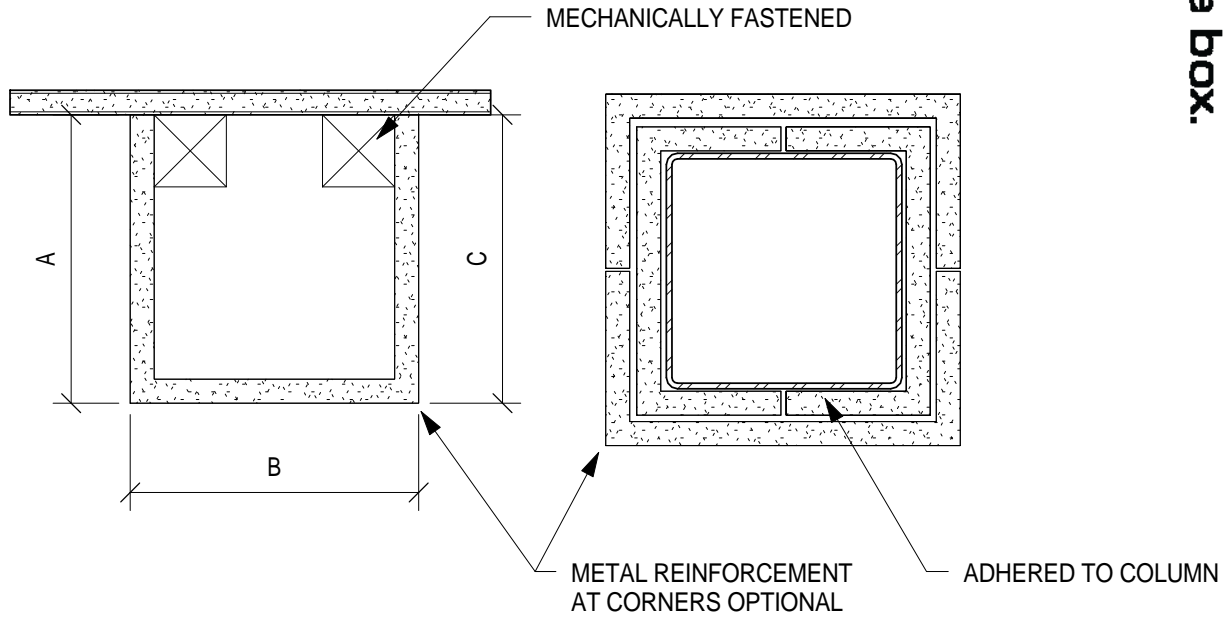


Max Size - A+B+C = 54"
 Standard Lengths - 8',9',10'
 Available Thickness - 1/2",5/8"

curved Walls inc.

Build outside the box.



U-Bend Profile

TO USE REVIT FAMILY:

- INSERT COMPONENT INTO PROJECT
- PLACE COMPONENT USING 'PLACE ON FACE' OR 'PLACE ON WORK PLANE' DEPENDING ON ORIENTATION REQUIRED.
- CREATE TYPES AS REQUIRED TO SUIT PROJECT, FOLLOWING THE PARAMETERS BUILT INTO EACH FAMILY.
- TOGGLE DETAIL LEVELS TO VIEW DETAIL COMPONENTS.
- FAMILY MATERIAL IS "GYPSUM WALL BOARD - CURVED WALLS"

Length 'A'	Length 'B'	Length 'C'	Qty - Length	Drywall Thickness	Comments

U Bend Outside Finish